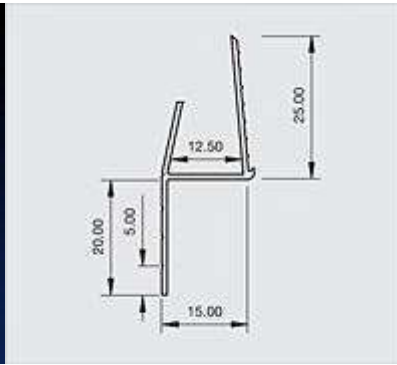
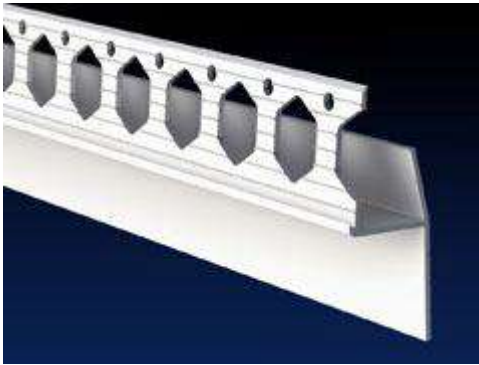


Drylining beads: SGL20-6



Locally manufactured from recycled plastic, Renderplas PVCu architrave shadow gap beads are designed for plasterboard to quickly and accurately form a shadow gap and provide a superior clean finish. Used at the edges of the plasterboard next to door frames, ceilings and skirting boards where the adjacent finish is designed to be seen

Performance: design data

Affiliations	Federation of Plasterers and Drywall Contractors	Fire	Class 1Y. Combustible within fire source, self extinguishing upon removal of flame, will not contribute to the combustion of the system
Applications	Used to form a shadow gap at the edges of the plasterboard next to door frames, ceilings and skirting boards where the adjacent finish is seen	Health and Safety	PVCu beads are safe to handle removing the dangers of cut metal; suitable for prisons and schools
Chemical	Zero chemical reaction with water, plaster, water based paint; avoid organic solvents, chlorate bleach, strong acids and alkalis	Heat	Ideal for all habitable conditions
Durability	Impact resistant; dissipates shock waves; outlasts metal; cleaned or painted in same way as plaster	Guarantees	Fit for purpose for at least 25 years
Economics	Dramatic reduction in time to form a shadow gap compared to traditional methods; resistant to impact damage	Mechanics	10.5mm slot expands when board is inserted to form a good fit
Environment	Locally manufactured; maximum recycled content; fully recyclable; low Ecopoint score of 0.004/kg delivered	Pollution	Ecologically benign; non-hazardous in water; non-hazardous if ingested; does not release substances into the atmosphere
		Strength	PVCu beads offer superior resilience to impact
		Weather	Not affected by weather and should be specified in all regions of high moisture or high salt

Specification: standard data

Type	SGL20-6	Weight (kg/100m)	9.6
Authority	Manufactured to ISO 9001:2000; Complies with BS EN 13914-2:2005; Fire Tested to BS 476; Complies with REACH	Stock Colours	White
Brand Names	Renderplas	Length	3.0m
Description	20mm PVCu architrave shadow gap 'L' profile	Packaging	6 lengths in triwall fibreboard boxes
Composition	Exterior grade impact resistant UV stable unplasticised PVCu	Format	Cut lengths
Dimensions (mm)	10-20mm gap and 24mm wing	Price (£/100m)	
Depth (mm)	12.5mm board	Recycled Content %	0%
		Light	UV Stable; minimal discoloration is uniform over a single facade and within industry standards

Site works

Installation	Standard industry practice and tools can be used. Cut to length with tin snips or fine tooth saw. Non-corrosive mechanical fixings should be used	Storage	Store vertically out of direct sunlight or extreme temperatures. Can be stored flat if supported along entire length
		Supply	Ex-stock next day delivery to site through extensive supply chain or direct from www.renderplas.co.uk